

## HIGH POWER CONTINUOUS VARIABLE ATTENUATOR

### Features:

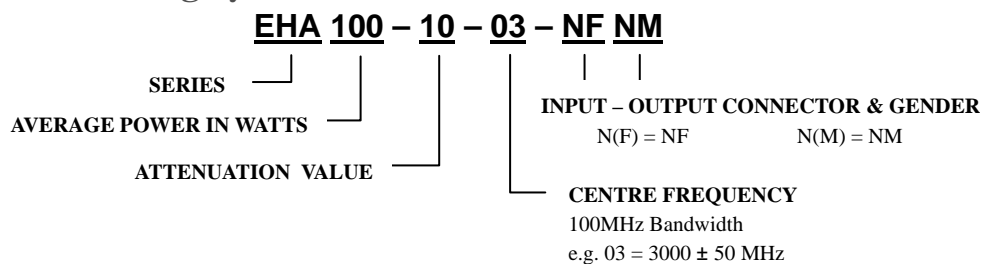


Attenuation Type:	Coaxial Fixed
Attenuation Range:	10, 20dB
Average Power:	100W
Frequency Range:	0.9–4GHz
Characteristic Impedance:	50Ω
Connectors:	N
Temperature Range:	- 40°C to + 65°C

Continuous variable attenuators can be used to adjust the power signal level continuously within certain frequency range without power off, they can also be used to adjust power level of test systems as inset attenuators, with high accuracy and high stability.

EHA100 series high power continuous variable attenuator can handle average power of 100W operating from 0.9-4GHz with low VSWR.

### Part Number Modeling System:

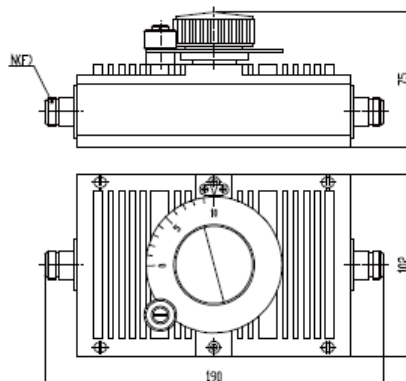


### Specifications:

Series	Frequency Range (GHz)	Bandwidth (MHz)	Attenuation Accuracy (dB) [max] *	Insertion Loss (dB)	VSWR [max]	Power (W)	
						Average	Peak
EHA100-10	0.9 - 4	100	±0.30	≤ 1.0	1.50	100	5k
EHA100-20	0.9 - 4	100	±0.30	≤ 1.0	1.50	100	5k

\* Note: Attenuation accuracy over 100MHz bandwidth

### Outline:



Dimensions are in mm

Specifications subject to change without notice

3048 SCOTT BOULEVARD, SANTA CLARA CA95054

TEL.NO.: 1-408-727 7127 • FAX NO.: 1-408-727 0827 • www.epxmwave.com

AUG 2009